

Tapeswitch Control Units



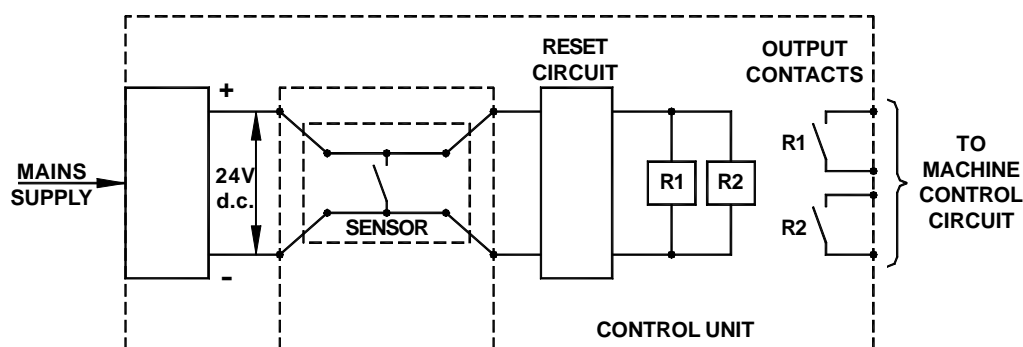
Features

- Complete fail-safe system
- Complies with Category 3 EN954-1
- Variety of enclosure styles
- Choice of input controls

Tapeswitch control units act as an interface between the Tapeswitch sensor and the end-user device (machine and/or process control).

They can be specifically engineered to meet the customer's requirements based on the type of application and environment.

Fail-safe wiring principle



Technical Specification

	Type	Safety Standard	Supply Voltage	Mounting Option	Reset Mode	Output Contacts
PSSU/1	Safety	Category 3 EN954-1	110/230V a.c.	DIN rail	Manual	2 x N/O, 2A@240V
PSSU/2	Safety	Category 3 EN954-1	24V d.c.	DIN rail	Manual	2 x N/O, 2A@240V
PSSU/3	Safety	Category 3 EN954-1	110/230V a.c.	Surface mounted	Manual	2 x N/O, 2A@240V
PSSU/4	Safety	Category 3 EN954-1	24V d.c.	Surface mounted	Manual	2 x N/O, 2A@240V
PSSU/6	Safety	Category 3 EN954-1	24V d.c.	Surface mounted	Manual/auto	2 x N/O, 2A@240V
PRSU/4	Safety	Category 3 EN954-1	24V d.c.	DIN rail	Manual/auto	3 x N/O, 2A@240V
PSSZ-2	Safety	Category 3 EN954-1	24V d.c.	DIN rail	Auto	2 x N/O volt-free
SRUS	Safety	Category 3 EN954-1	24V d.c.	DIN rail	Manual/auto	3 x N/O, 6A@24V d.c.
SLRC	Actuator	Category 3 EN954-1	24V d.c.	Surface mounted	Manual	1 x N/O, 2A@24V d.c.
PSCU/1	Control	Category 1 EN954-1	110/230V a.c.	DIN rail	Manual/auto	Common, N/O, N/C
PSCU/4	Control	Category 1 EN954-1	24V d.c.	DIN rail	Manual/auto	Common, N/O, N/C