

SRUB interface unit

Information Sheet

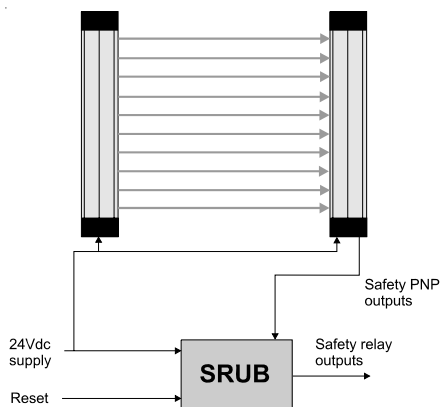


Features

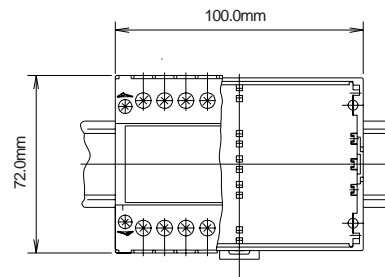
- prEN954-1, level 4 design
- Detachable terminal strip
- 24Vdc operation
- 2 N/O, 1N/C safety outputs
- Auto reset or fail-safe manual reset

Guardscan's SRUB type control unit is designed for use with the B Series range of light curtains. This BG approved interface unit performs the actual switching of the electrical circuit of the dangerous machine using positively guided safety relays. It also incorporates a fail-safe start and restart interlock function should the application require. (For muting applications, refer to the Guardscan SRUM). The SRUB features a detachable terminal strip which allows for speedy removal of a unit without the need to disturb any wiring.

System schematic

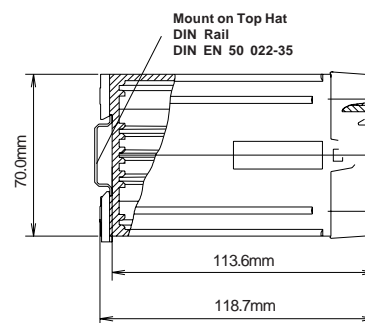


Dimensions



Technical specification

Operating voltage	24Vdc at +/- 10%
Power consumption	approx. 5VA
Contact configuration	2 N/O safety contacts, 1 N/C auxiliary contact
Contact type	Relay positive guided
Operating temperature	-25°C to +50°C
Terminal / Housing style	DIN 40050 (Terminal IP20) (Housing IP40)
Conductor connection	2 x 2.5mm ² solid wire DIN 26206 or 1 x 1.5mm ² stranded wire with ferrule DIN 46228
Max switching capacity	1500VA
Switching voltage	250Vac, 24Vdc
Switching current	6A ac, 6A dc
Response time	10ms



GB-07/01



www.tapeswitch.co.uk

Tapeswitch Ltd

Unit 38 Drumhead Road Chorley North Industrial Park Chorley Lancashire PR6 7BX

Tel: +44 (0)1257 249777 Fax: +44 (0)1257 246600 Email: info@tapeswitch.co.uk

GUARDSCAN