

KS2002 Sensing Edge



Features

- Custom configurations
- Aluminium mounting channel
- Immediate activation
- Easy installation
- Fail-safe wiring available
- Durable construction
- Sealed switch compartment

KS2002 is a durable sensing edge which is suitable for a range of personnel safety applications. It is typically used on the edges of high-speed powered doors, and the fins on the profile provide a seal when the door is closed. It is available in custom configurations up to 5m in one continuous length. Longer lengths consist of a single continuous ribbon switch with several sections of housing and channel. The exterior housing snaps easily into aluminium mounting channel making it ideal for installations where space is restricted.

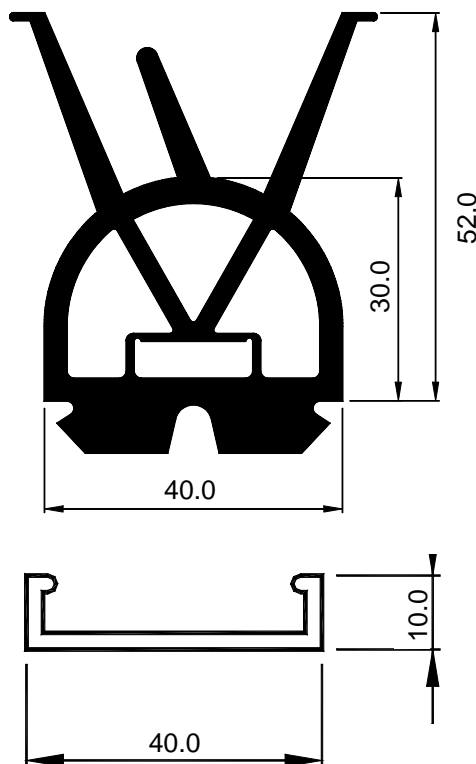
Typical Applications:

- High-speed doors
- Transport doors
- Powered doors

Technical specification

Actuating force (80mm \varnothing test piece)	<180N (18.0g)
Overtravel movement to 250N	15mm
Actuating distance (80mm \varnothing test piece)	2mm
Housing material	EPDM
Housing colour	Black
Ingress protection	IP65
Operating temperature	-20 $^{\circ}$ c to +50 $^{\circ}$ c
Typical weight	1250g/m
Recommended max voltage	30V d.c.
Switching current @ 30Vdc	1A

Dimensions



GB 06/10

Tapeswitch Ltd

Unit 38 Drumhead Road Chorley North Industrial Park Lancashire England PR6 7BX

Tel: Int +44 (0) 1257 249777 Fax: Int +44 (0) 1257 246600 E-Mail: info@tapeswitch.co.uk