

Sensing Edges - Fail-safe single lead—SLR Option

Information Sheet

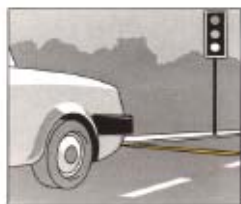


Features

- EN 13849 PLd Capability
- Single-Lead
- Custom configurations
- Wide range of models
- Choice of colours
- Optional sensitivities
- Variety of mounting options
- Easy installation
- Durable construction
- Customised profiles to suit customer specification

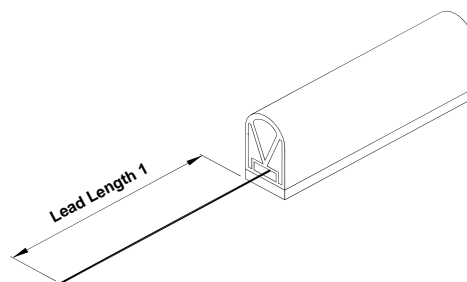
Tapeswitch sensing edges are press-at-any-point, momentary, normally-open contacts designed to protect personnel and equipment. They are typically mounted on the leading edge of a moving object, such as a powered door, such that the sensor is activated when it meets an obstruction. As the sensing edge deforms, a stop signal is initiated and the edge acts as a 'cushion' to allow the moving parts to come to rest without exerting excessive force on the obstruction. The depth of this cushion is known as the over-travel of the sensing edge. It is essential to ensure that the dangerous parts are brought to rest within the over-travel of the sensing edge.

The fail-safe single-lead sensing edges SLR are used in combination with an end-of-line resistance-monitored control unit. This option means that the sensing edge is monitored through a single 2 core lead.



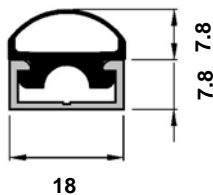
Typical Applications:

- Automated factory environments
- Car Plants
- Conveyors
- Scissor Lifts
- Access control

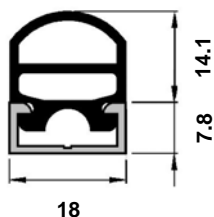


Sensing Edge Profiles (special profiles available on request — please contact us to discuss your application)

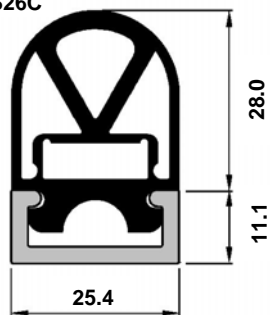
TS6



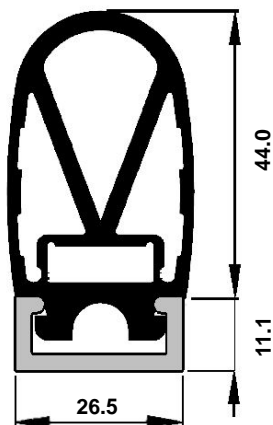
TS16



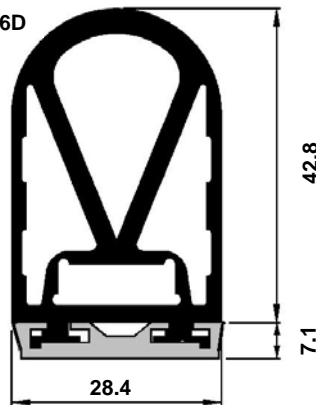
TS26C



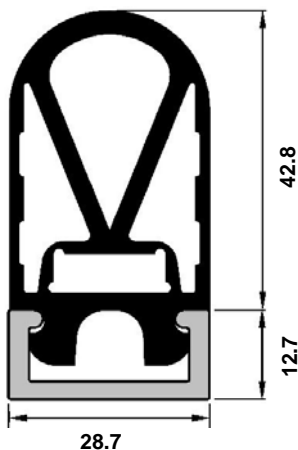
TS28



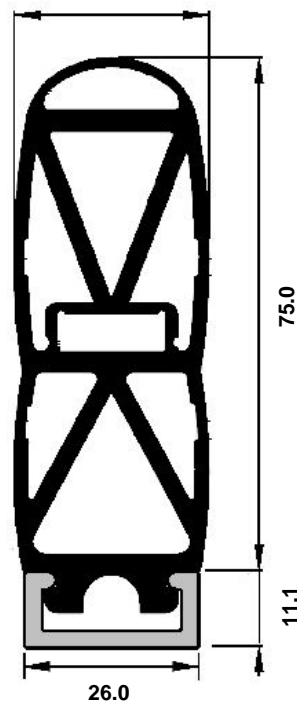
TS46D



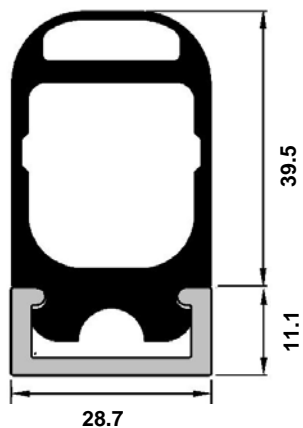
TS48



TS29



TS47



Mounting Options

All Tapeswitch edge profiles have an aluminium channel in either flat or angled, some of the smaller profiles have a plastic option. For full details please see our separate sensing edge information sheet.

Holes can be drilled in the channel to suit most requirements, please call our sales team for more information.

Accessories

End-caps and end-covers are available dependent upon the profile, please call our sales team for details.

Order Code: XXXX / XXXX / X / X / X / SLR / OE / XXXX / XXX /

X

Sensor Type

Sensor Overall Length (mm)

Channel Style

F - Flat

A - Angle

Channel Material

A - Aluminium

P - Plastic

Housing Colour

B - Black

R - Red

Y - Yellow

Lead Type

SLR

Lead Exit

OE

Lead Length 1

XXXXmm

Resistor Value

End Caps

Y/N