

Sensing Edges - SSR solid-state relay outputs

Information Sheet

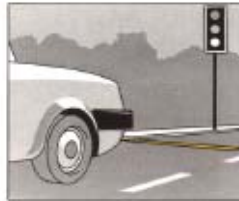


Features

- Standards -EN1760-2 & EN-13849-1
- Custom configurations
- Wide range of models
- Choice of colours
- Optional sensitivities
- Variety of mounting options
- Easy installation
- Fail-safe wiring available
- Durable construction
- Customised profiles to suit customer specification
- Volt-free, normally closed contacts

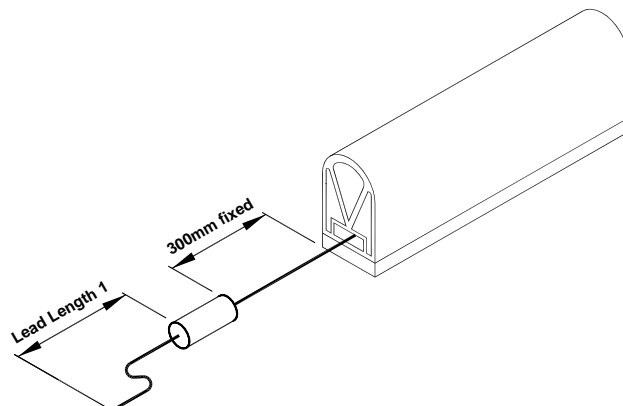
Tapeswitch sensing edges are press-at-any-point, momentary, normally-open contacts designed to protect personnel and equipment. They are typically mounted on the leading edge of a moving object, such as a powered door, such that the sensor is activated when it meets an obstruction. As the sensing edge deforms, a stop signal is initiated and the edge acts as a 'cushion' to allow the moving parts to come to rest without exerting excessive force on the obstruction. The depth of this cushion is known as the over-ravel of the sensing edge. It is essential to ensure that the dangerous parts are brought to rest within the over-travel of the sensing edge.

The SSR option of sensing edge has an auto-reset safety control unit fitted in-line with the connection cable. The single lead is a 6-core cable providing 2 wires for the 24vdc input supply and the 4 wires provide 2 contacts closed when inactive. The SSR option is available on any of the Tapeswitch range of sensing edges.

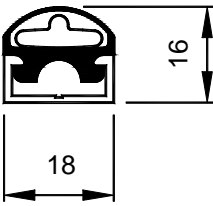


Typical Applications:

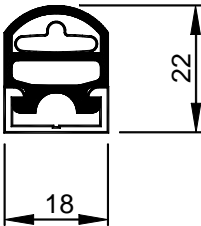
- Automated factory environments
- Car Plants
- Conveyors
- Scissor Lifts
- Access control



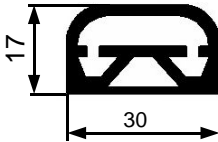
Sensing Edge Profiles (special profiles available on request — please contact us to discuss your application)



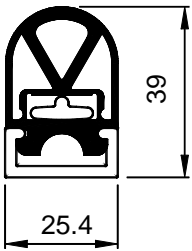
TS6



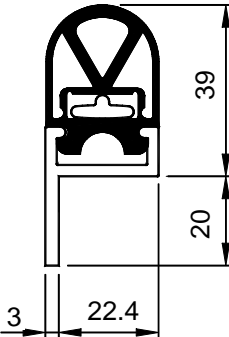
TS16



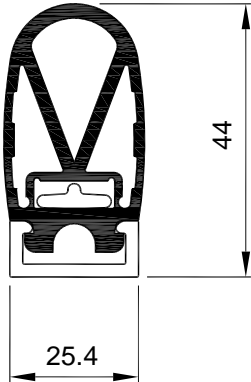
TS19



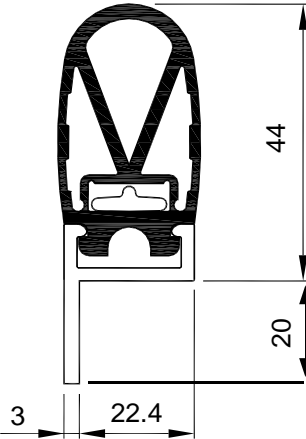
TS26C



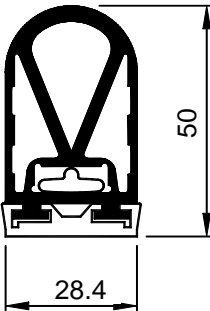
TS26C



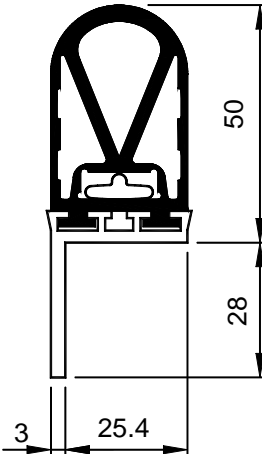
TS28



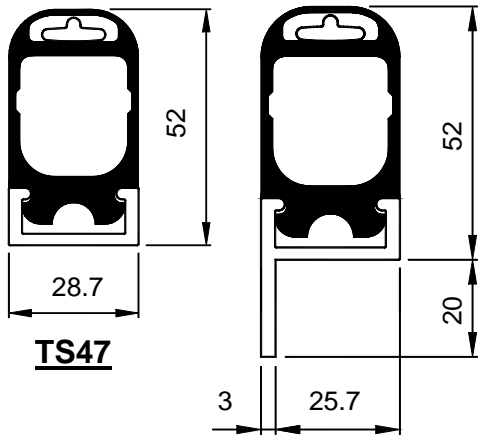
TS28



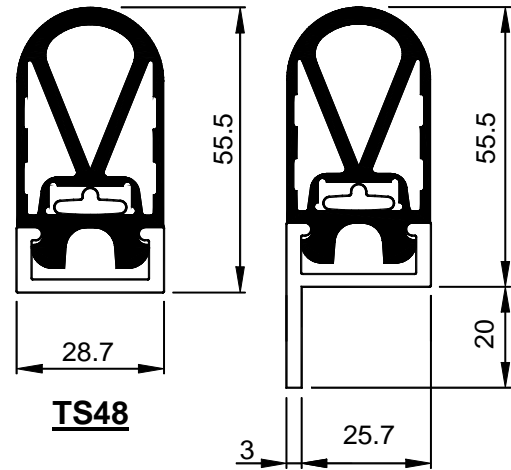
TS46



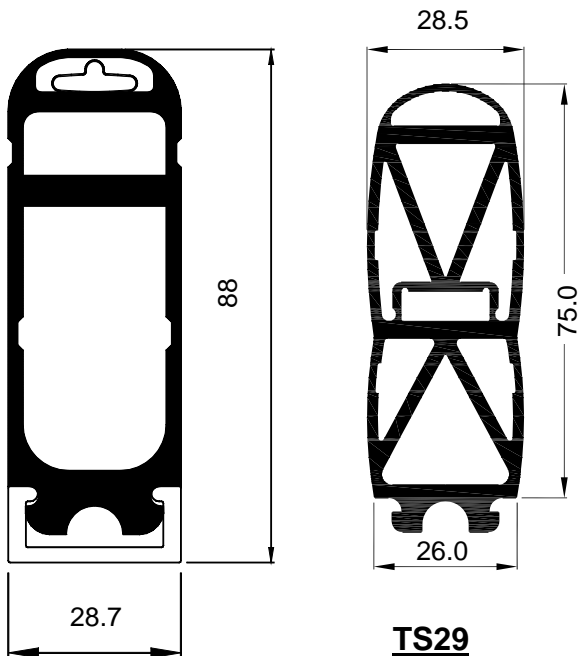
TS46



TS47

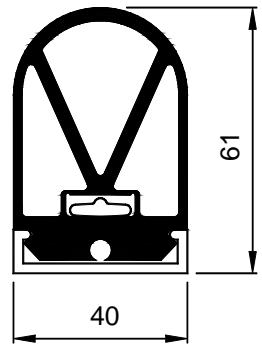


TS48

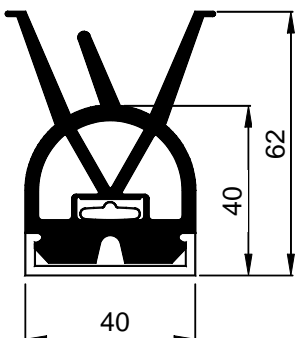


TS57

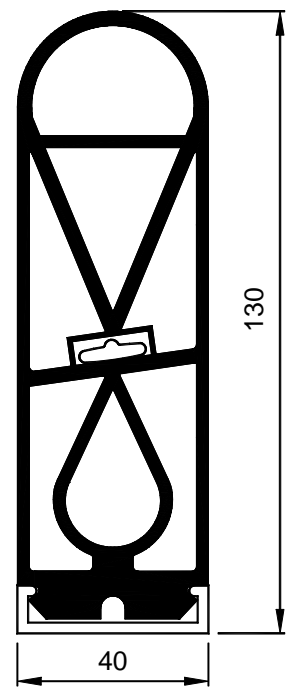
TS29



KS1001



KS2002



KS4401

Mounting Options

All Tapeswitch edge profiles have an aluminium channel in either flat or angled, some of the smaller profiles have a plastic option. For full details please see our separate sensing edge information sheet.

Holes can be drilled in the channel to suit most requirements, please call our sales team for more information.

Accessories

End-caps and end-covers are available dependent upon the profile, please call our sales team for details.

Order Code: **XXXX SSR / XXXX / X / X / X / SLZ / OE / XXXX / 8V2 / X**

Sensor Type									
Sensor Overall Length (mm)									
Channel Style F - Flat A - Angle									
Channel Material A - Aluminium P - Plastic									
Housing Colour B - Black R - Red Y - Yellow									
Lead Type SLZ									
Lead Exit OE									
Lead Length 1 6 core x = xxxxmm									
8V2									
End Caps Y/N									