

TS29 Sensing Edge



Features

- Custom configurations
- Variety of mounting options
- Immediate activation
- Large overtravel
- Fail-safe wiring available
- Durable construction
- Sealed switch compartment

TS29 is a very versatile sensing edge that responds to both head-on and side activation, making it ideal for a range of personnel safety applications. The ribbon-switch sensing-element can be mounted in either the top or centre of the housing allowing the sensing characteristics to be tailored to suit the application. The sensing edge can be configured for immediate activation and has considerable over-travel in relation to its width, making it ideal for fast-moving, slow-stopping applications. The edge benefits from having a snap-in mounting channel available in both flat and right-angle profile.

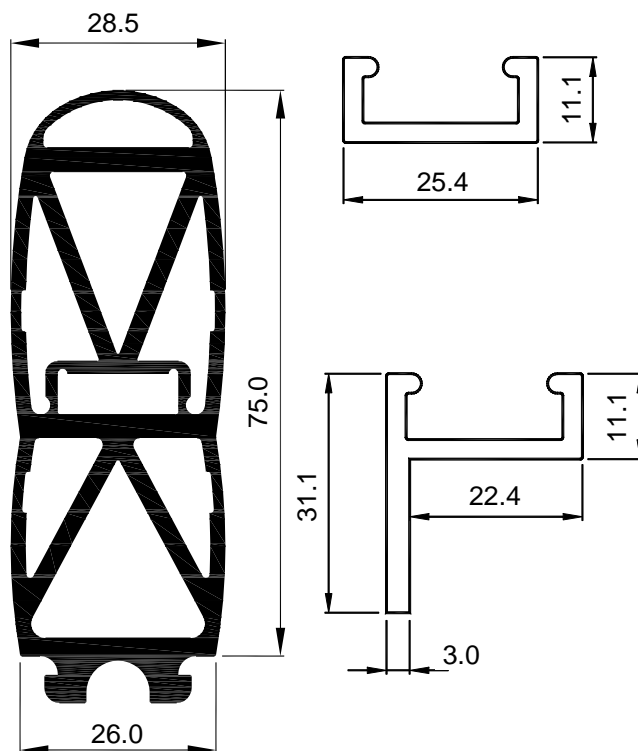
Typical Applications

- Lift tables and platforms
- Moving partitions
- High-speed doors
- Transport doors

Technical Specification

Actuating force (80mm \varnothing test piece)	<18N (1.8kg)
Overtravel movement to 250N	51mm
Actuating distance (80mm \varnothing test piece)	Approx. 2mm
Housing material	EPDM
Housing colour	Black
Ingress protection	IP65
Operating temperature	-20 $^{\circ}$ c to +50 $^{\circ}$ c
Typical weight	1390g/m
Recommended max voltage	30V d.c.
Switching current @ 30Vdc	1A

Dimensions



GB 03/11