

## TS6 Sensing Edges



### Features

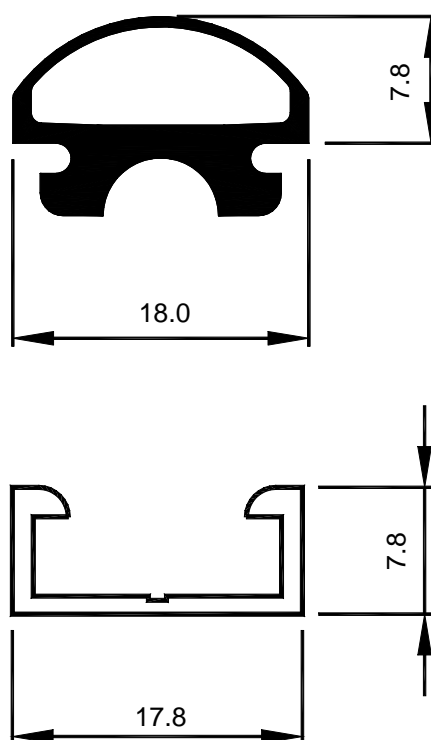
- Custom configurations
- Choice of colours
- Variety of mounting options
- Immediate activation
- Easy installation
- Fail-safe wiring available
- Durable construction
- Sealed switch compartment
- End caps available

TS6 is a low profile, mini edge designed for pinch point applications which require the features of a pressure-sensitive switch but with added cushioning. It snaps easily into a choice of aluminium or plastic mounting channel, and the small profile ensures easy installation where space is restricted. The tough, extruded polymer housing is available in a choice of colours and can be supplied with end caps fitted to provide a dust-proof seal.

### Typical Applications:

- Personnel lifts
- Sliding doors
- Conveyor systems
- Dumbwaiter doors
- Disabled facilities
- Medical tables

### Dimensions



### Technical Specification

Actuating force (80mmØ test piece)	<55N (5.5kg)
Overtravel movement to 250N	1mm
Actuating distance (80mmØ test piece)	approx. 3.5mm
Housing material	PVC
Housing colour	Black, red, yellow or clear
Channel material	Aluminium or plastic
Ingress protection	IP65
Operating temperature	-20°C to + 50°C
Typical weight	300g/m
Recommended max voltage	30V d.c.
Switching current @ 30Vdc	1A

GB 11/10