

Floor Post

Information Sheet

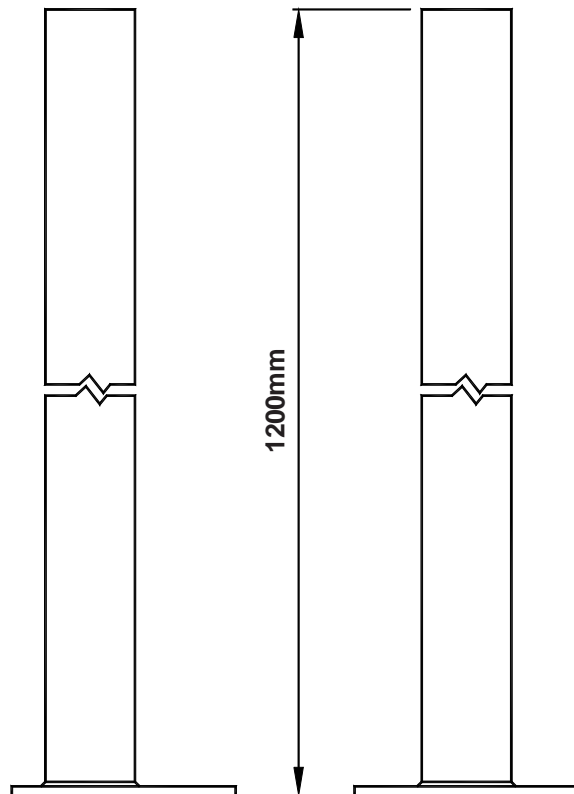
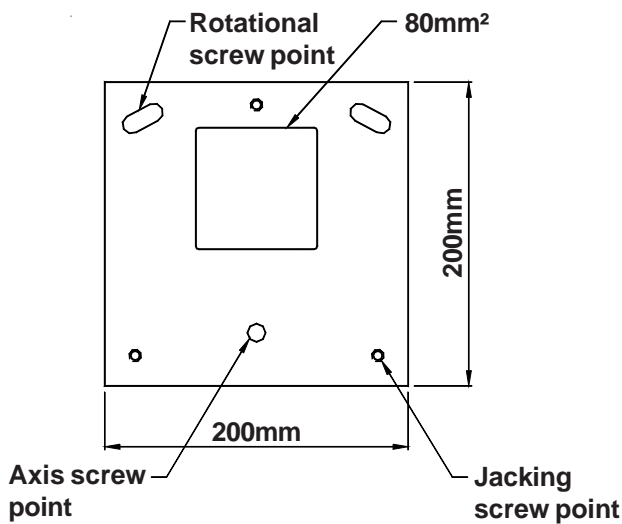


Features

- Robust construction
- Angular adjustment
- Rotational adjustment
- Variable mounting heights

The new look Guardscan floor post is designed to provide a flexible and robust means of mounting B Series light curtains as well as mirror units. Featuring angular and rotational adjustment this user-friendly mounting post facilitates speedy installation and alignment on site. The standard build post accommodates the B Series light curtains or mirror unit with easy-to-use fixing brackets allowing variable mounting positions.

Dimensions



Technical specification

Material	Mild Steel
Finish	Black paint
Dimensions- Height	1200mm
Length	200mm
Width	200mm

GB-07/01



www.tapeswitch.co.uk

Tapeswitch Ltd

Unit 38 Drumhead Road Chorley North Industrial Park Chorley Lancashire PR6 7BX

Tel: +44 (0)1257 249777 Fax: +44 (0)1257 246600 Email: info@tapeswitch.co.uk

GUARDSCAN