

## TVS2 Vehicle Switch



### Features

- Custom sizes
- Non corrosive aluminium & PVC construction
- Fail-safe wiring available
- Easy installation
- IP67 rated
- Aluminium end plates

The TVS2 Vehicle Switch is a highly visible, durable and reliable road switch to detect a vehicle. It can be used in many applications including vehicle counting, traffic control and private road security. Its IP67 protection against water even allows it to be used in automatic car washes.

The product consists of a Tapeswitch ribbon switch sealed inside a PVC co-extrusion, which is then housed in a ramped edged aluminum channel to allow the smooth running of vehicles over the switch.

The TVS2 can be fixed in position by simply drilling through the ramped edges and using fixing bolts to the road or floor. Aluminium endplates are used to secure the road switch to the ground and to protect the cable exit. When specifying the length of your TVS2, please ensure that you allow 120 mm for the endplates.

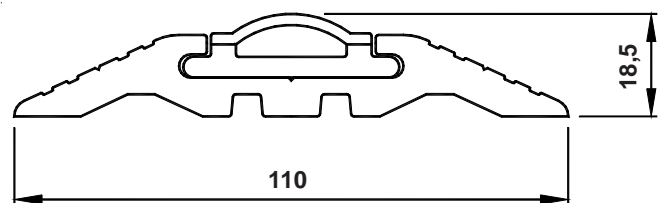
The versatility of Tapeswitch based products means that this type of switch can be used in other applications such as foot switches for presses and production lines.

Where will you use yours?!

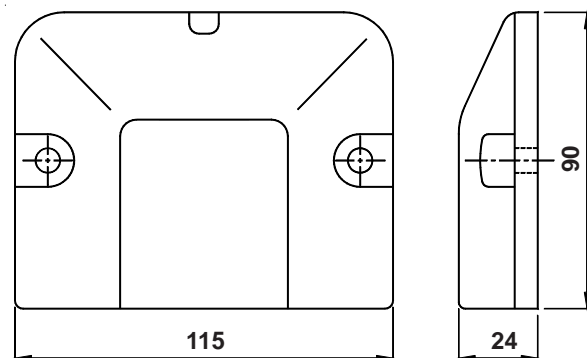
### Technical Specification

Sensor Colour	Yellow
Material: Top Section	Extruded PVC, UV stabilized
Bottom Section	Extruded aluminium
Endplate	Aluminium casting
Recommended Voltage	5V to 24V ac or dc
Max Current	1.0A ac or dc
Environment	IP67 rated
Chemical/Moisture Resistance	Excellent resistance to water, mild acids and bases, alcohols, and many solvents
Actuation Force	<450N (45.0kg)

### Dimensions



### End Plate View



### Typical Applications

- Vehicle counting
- Traffic control
- Private road security
- Automatic car washes

GB-02/07

## Tapeswitch Ltd

Unit 38 Drumhead Road Chorley North Industrial Park Chorley Lancashire England PR6 7BX  
 Tel Int +44 01257 249777 Fax Int +44 01257 246600 E-mail info@tapeswitch.co.uk Website www.tapeswitch.co.uk