

MOUNTING BRACKET KIT - TYPE EB INSTALLATION INSTRUCTIONS

1. INTRODUCTION

This mounting bracket kit is for securing a B or T Series light curtain to a wall, mounting surface or floor post.

Each kit comprises:-

- 4 x Bracket Plate
- 8 x M4 Posi Pan Head Screw
- 8 x M4 Shakeproof Washer
- 1 x Installation Instruction Sheet

Both the top and bottom end caps on the emitter and receiver columns have pre-drilled holes to accept the M4 bracket securing screws. The correct orientation of the bracket plates will have to be determined on site.

2. INSTALLATION

Secure the bracket plates to each end cap with the M4 screws and washers provided, see Figure 1 ensuring the orientation of the bracket is correct to suit where the guard is to be finally positioned. The bracket plate may only be fitted in either of the two positions as shown below see Figure 2.

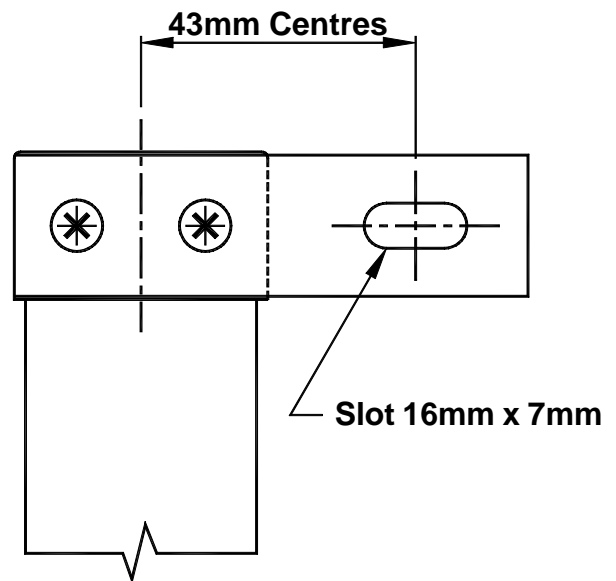


Figure 1

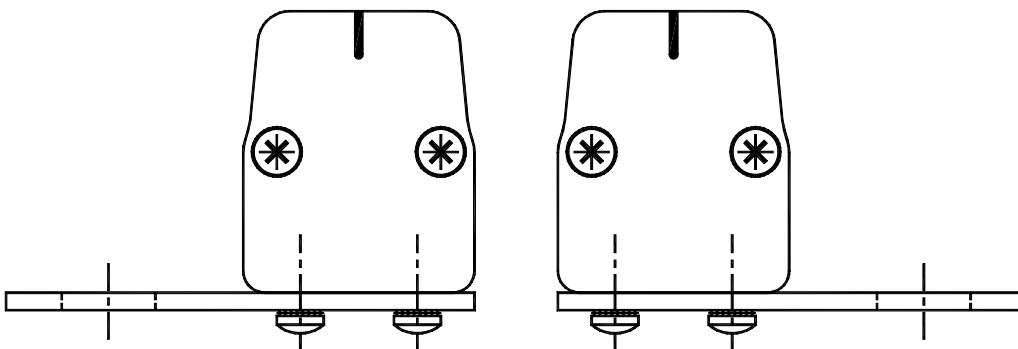


Figure 2