



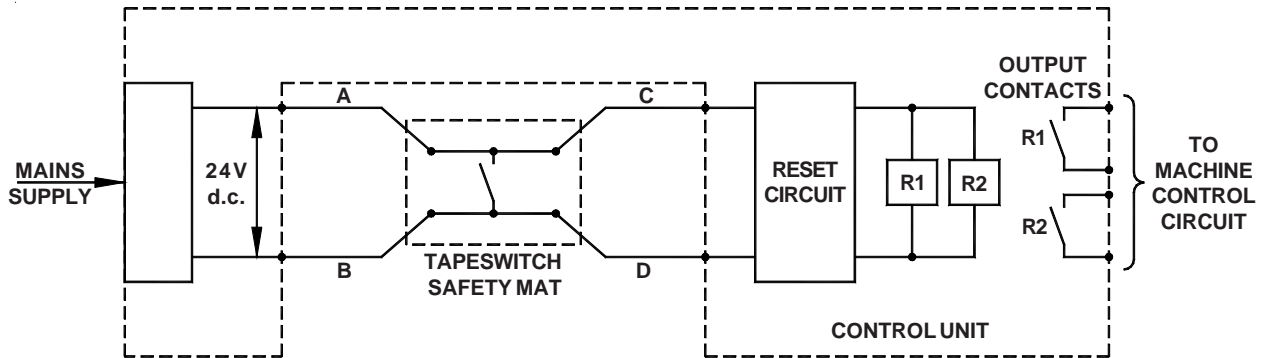
TAPESWITCH SAFETY MATS SUPPLIED WITH M8 & M12 TYPE CONNECTORS

1. INTRODUCTION

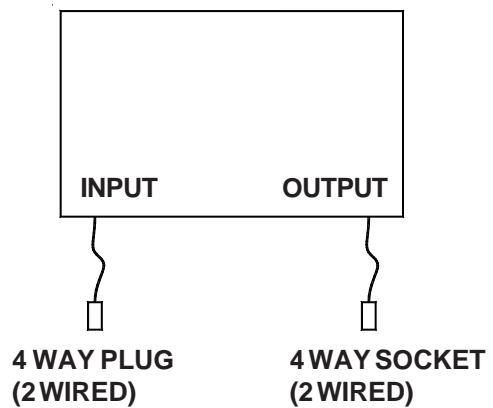
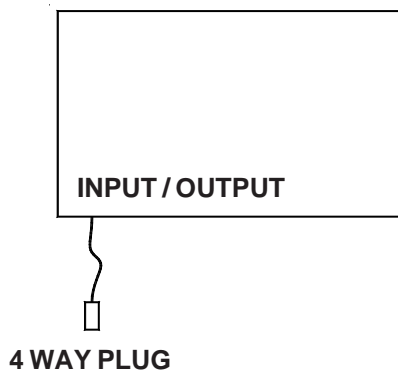
The Tapeswitch Safety Mat is available fitted with either M8 or M12 quick release type connectors. The quick release system allows rapid installation or substitution of the devices.

2. CONNECTION DETAILS

The connection details for the safety mats are shown below.



	LEAD REF.	CONNECTOR PIN NUMBER	WIRE COLOUR
SAFETY MAT - SINGLE 4 WAY CONNECTOR	A	2	WHITE
	B	1	BROWN
	C	3	BLUE
	D	4	BLACK
SAFETY MAT - 2 x 4 WAY CONNECTORS	A	2	LEAD 1 WHITE
	B	1	LEAD 1 BROWN
	C	2	LEAD 2 WHITE
	D	1	LEAD 2 BROWN



Safety Mat supplied with Single 4 Way Connector

Safety Mat supplied with 2 x 4 Way Connectors